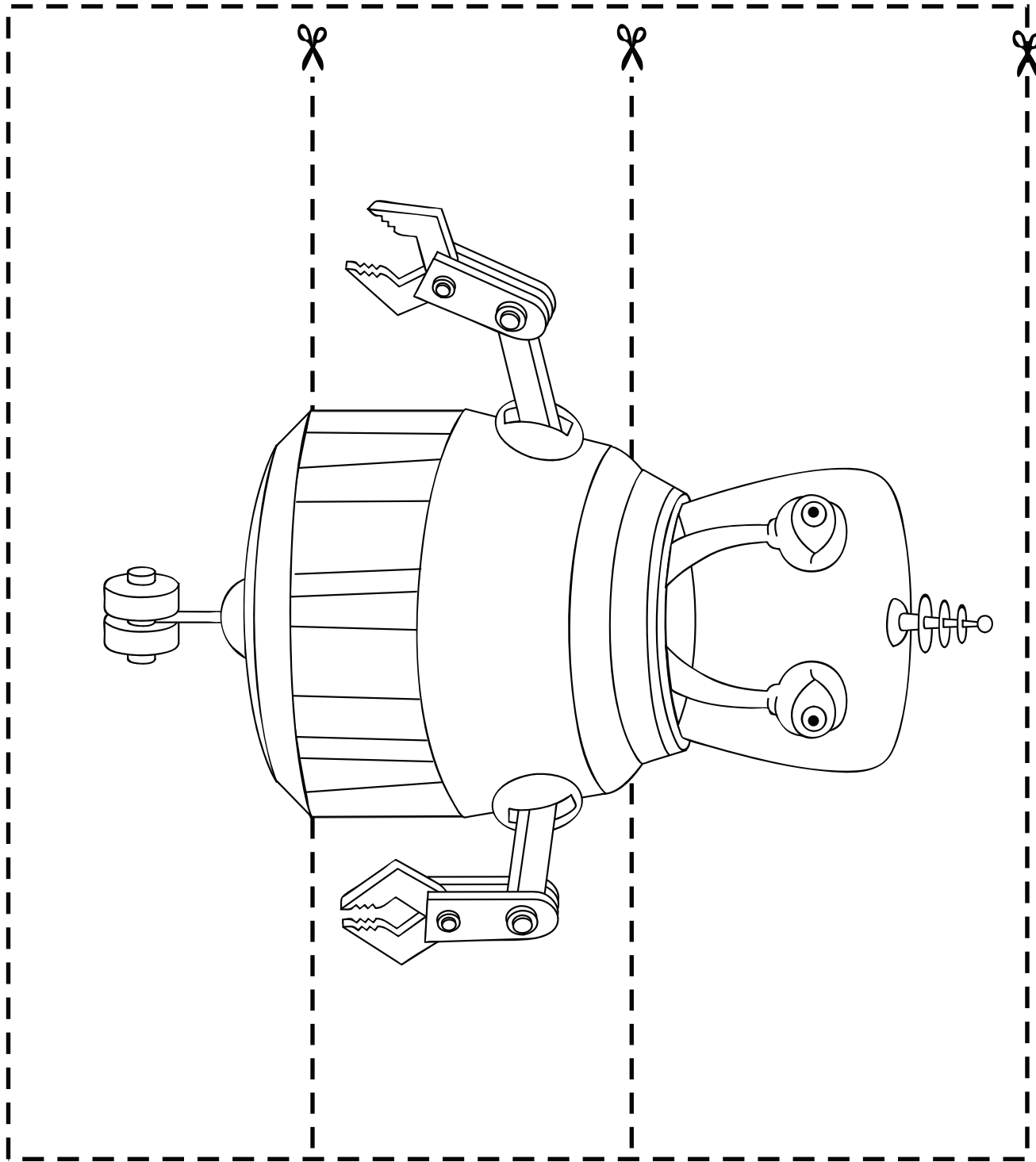




Create an alien invasion! Each of these aliens is divided into three parts: top, middle, and bottom. Print and color the aliens, then cut them into separate pieces. Mix and match the parts to make new creatures!



Proud sponsor of ARTHUR

Funded by

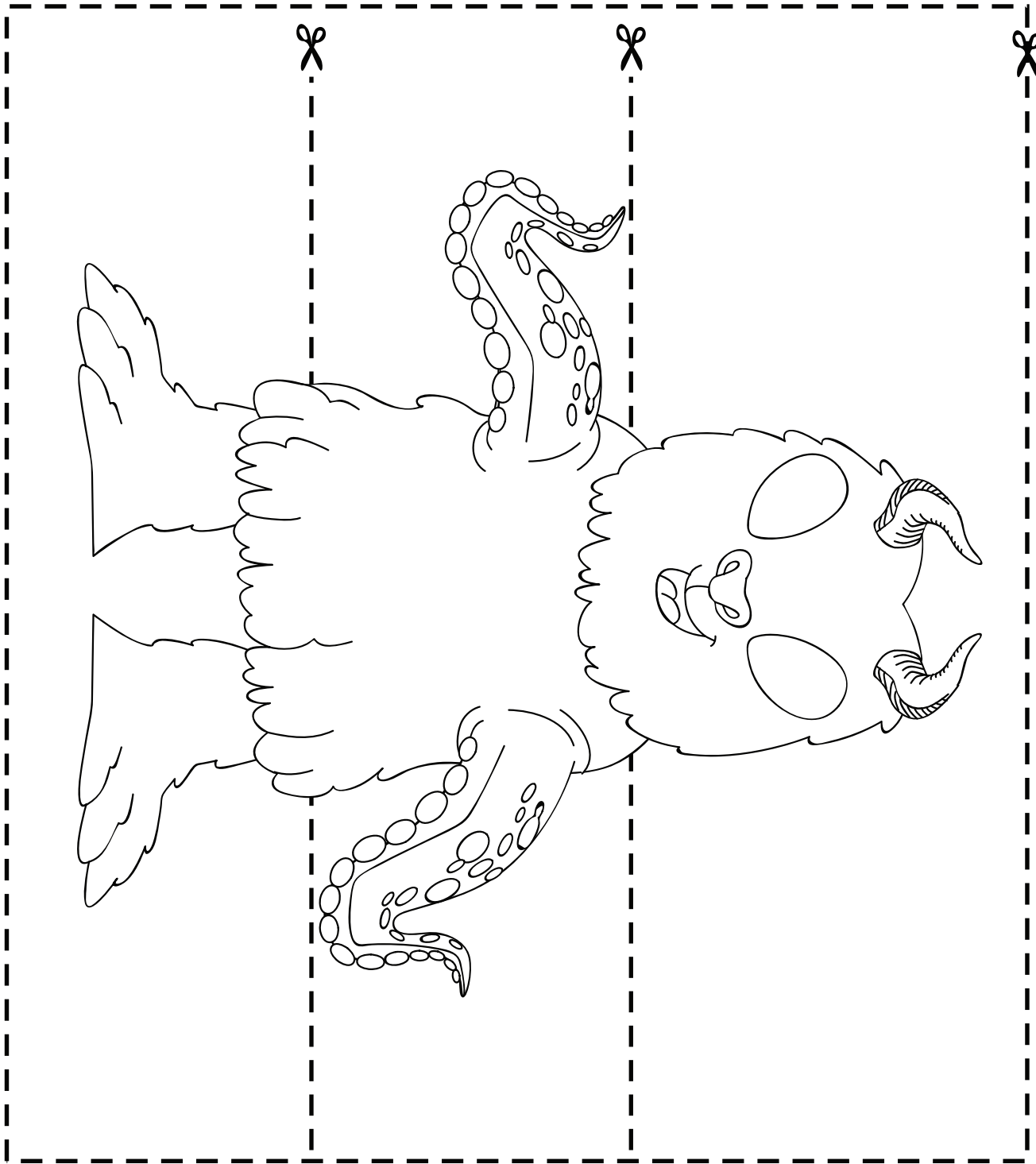
[pbskids.org/arthur](http://pbskids.org/arthur)

© 2018 WGBH Educational Foundation. All rights reserved. All characters and underlying materials (including artwork) copyright Marc Brown. "Arthur" and "D.W." and all of the ARTHUR characters are trademarks of Marc Brown. All third party trademarks are the property of their respective owners. Used with permissions.





Create an alien invasion! Each of these aliens is divided into three parts: top, middle, and bottom. Print and color the aliens, then cut them into separate pieces. Mix and match the parts to make new creatures!



Proud sponsor of ARTHUR

Funded by

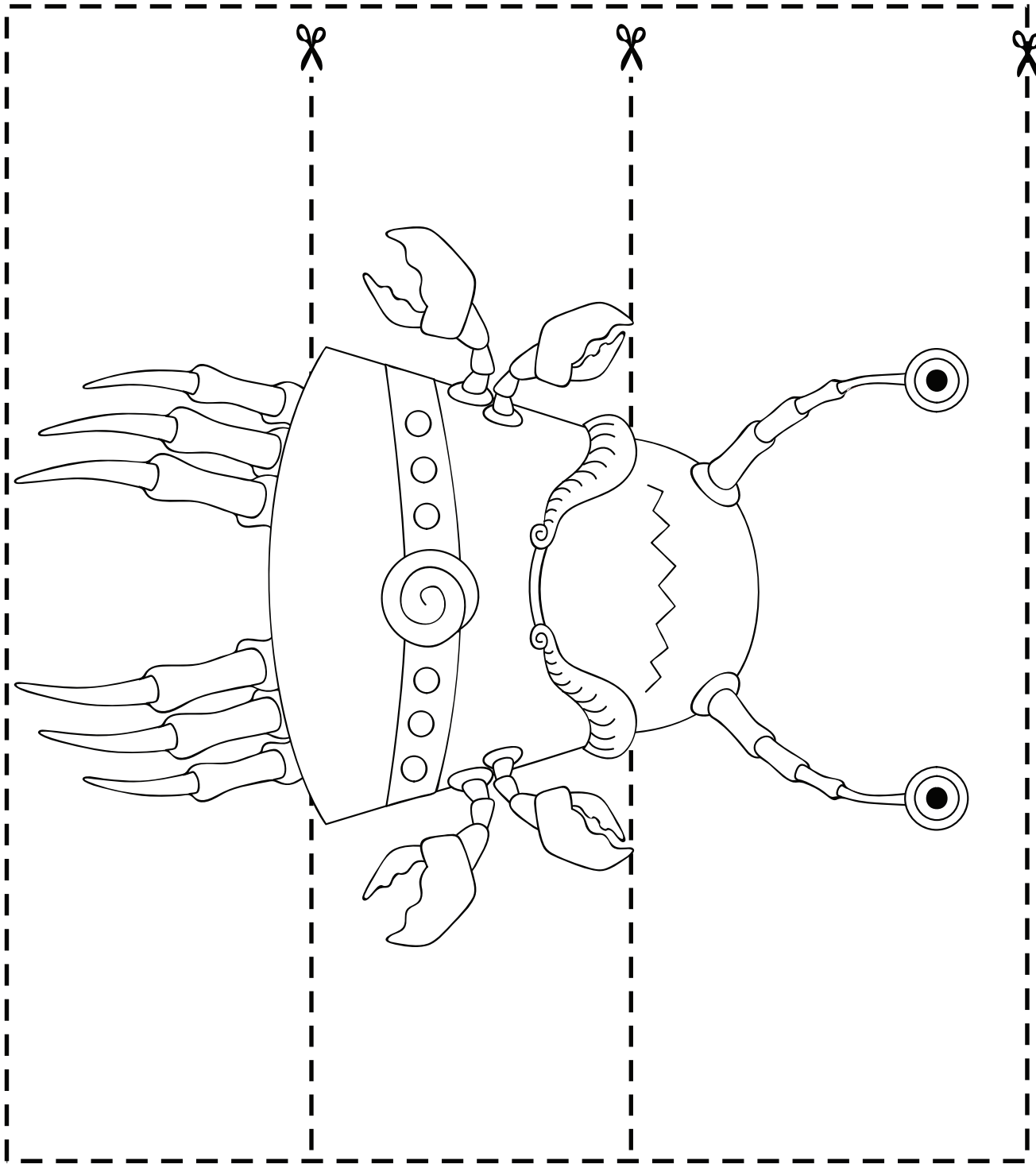
[pbskids.org/arthur](http://pbskids.org/arthur)

© 2018 WGBH Educational Foundation. All rights reserved. All characters and underlying materials (including artwork) copyright Marc Brown. "Arthur" and "D.W." and all of the ARTHUR characters are trademarks of Marc Brown. All third party trademarks are the property of their respective owners. Used with permissions.





Create an alien invasion! Each of these aliens is divided into three parts: top, middle, and bottom. Print and color the aliens, then cut them into separate pieces. Mix and match the parts to make new creatures!



Proud sponsor of ARTHUR

Funded by

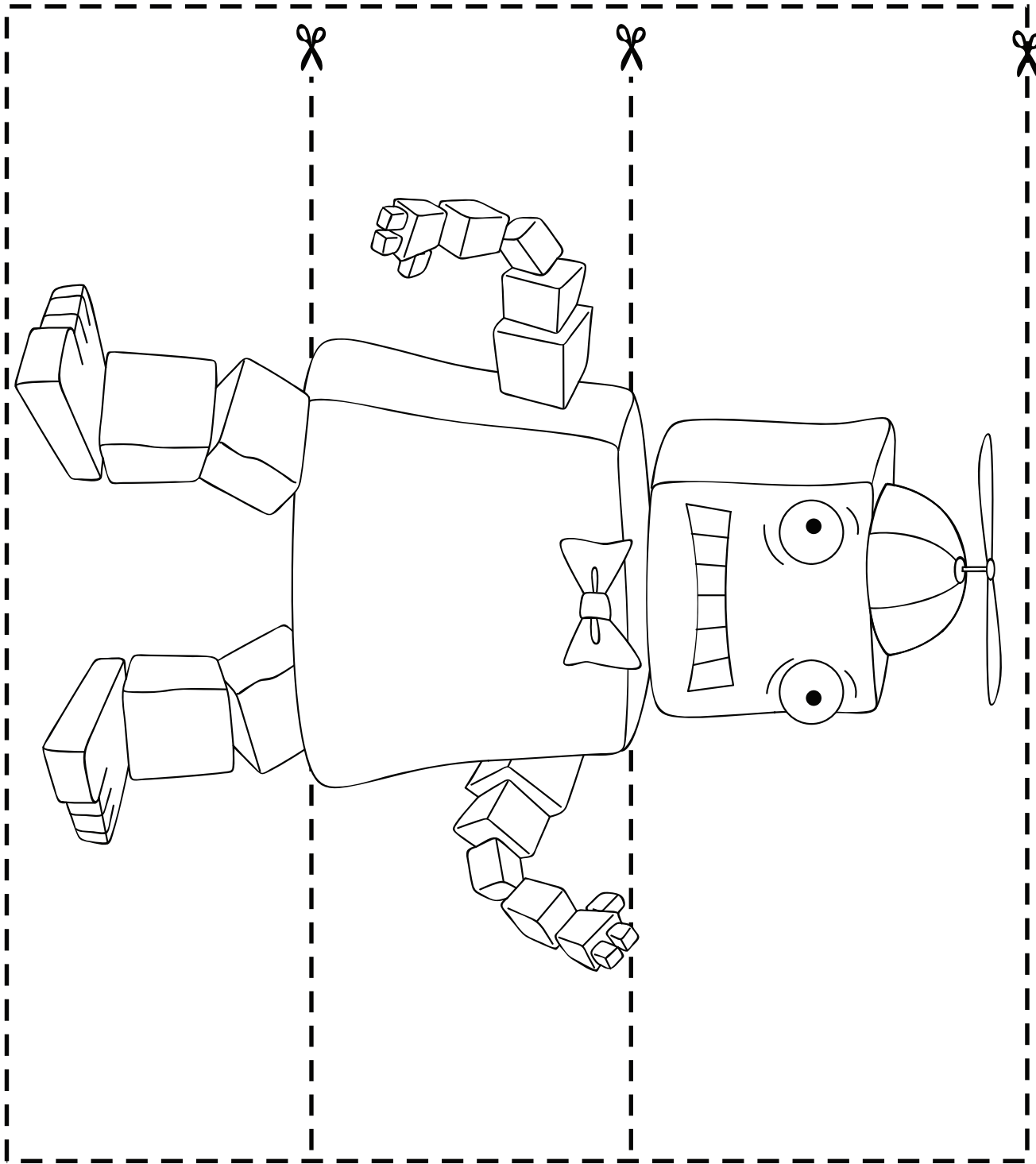
[pbskids.org/arthur](http://pbskids.org/arthur)

© 2018 WGBH Educational Foundation. All rights reserved. All characters and underlying materials (including artwork) copyright Marc Brown. "Arthur" and "D.W." and all of the ARTHUR characters are trademarks of Marc Brown. All third party trademarks are the property of their respective owners. Used with permissions.





Create an alien invasion! Each of these aliens is divided into three parts: top, middle, and bottom. Print and color the aliens, then cut them into separate pieces. Mix and match the parts to make new creatures!



Proud sponsor of ARTHUR

Funded by

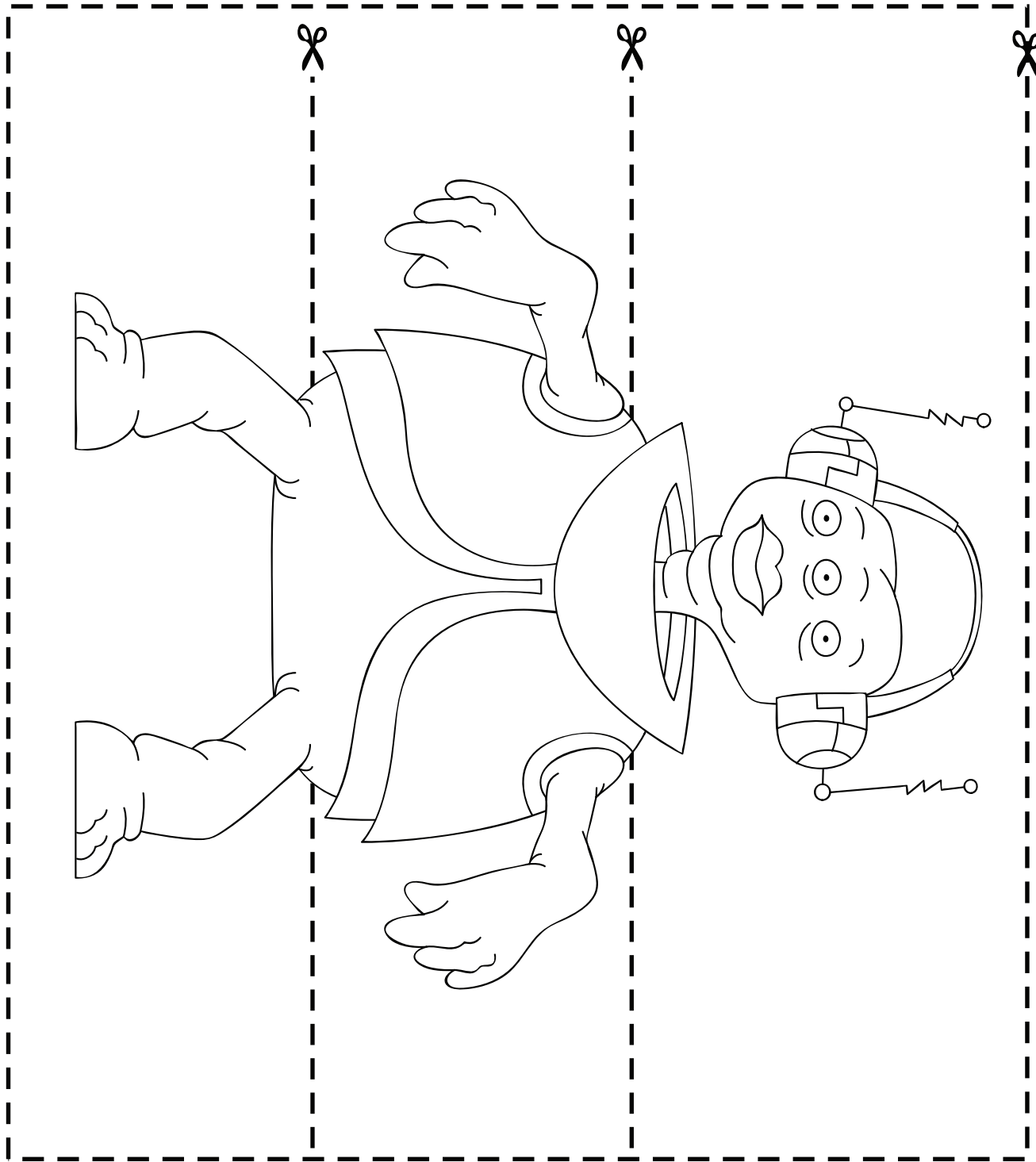
[pbskids.org/arthur](http://pbskids.org/arthur)

© 2018 WGBH Educational Foundation. All rights reserved. All characters and underlying materials (including artwork) copyright Marc Brown. "Arthur" and "D.W." and all of the ARTHUR characters are trademarks of Marc Brown. All third party trademarks are the property of their respective owners. Used with permissions.





Create an alien invasion! Each of these aliens is divided into three parts: top, middle, and bottom. Print and color the aliens, then cut them into separate pieces. Mix and match the parts to make new creatures!



Proud sponsor of ARTHUR

Funded by

[pbskids.org/arthur](http://pbskids.org/arthur)

© 2018 WGBH Educational Foundation. All rights reserved. All characters and underlying materials (including artwork) copyright Marc Brown. "Arthur" and "D.W." and all of the ARTHUR characters are trademarks of Marc Brown. All third party trademarks are the property of their respective owners. Used with permissions.

